



DIECI



ICARUS



40.14



40.17

PERFORMANCE

| | | |
|----------------------------------------------------------------|----------------------|----------------------|
| Machine model | ICARUS 40.14 | ICARUS 40.17 |
| Maximum capacity | 4000 kg (8818 lb) | 4000 kg (8818 lb) |
| Maximum lifting height on wheels | 13,10 m (43 ft) | 13,20 m (43,3 ft) |
| Maximum horizontal extension on wheels | 9,50 m (31,2 ft) | 9,40 m (30,8 ft) |
| Fork swiveling angle | 134° | 134° |
| Pull-out force | 5700 daN (12814 lbf) | 5700 daN (12814 lbf) |
| Towing force | 7300 daN (16411 lbf) | 7300 daN (16411 lbf) |
| Maximum climb angle | 40% | 40% |
| Unladen weight | 10900 kg (24030 lb) | 12260 kg (27029 lb) |
| Max speed (referred to wheels with maximum permitted diameter) | 35 km/h (21,7 mph) | 35 km/h (21,7 mph) |

BOOM

| | | |
|------------------------|--------------|--------------|
| Machine model | ICARUS 40.14 | ICARUS 40.17 |
| Lifting | 12,3 s | 14,1 s |
| Getting off the basket | 8,4 s | 10,2 s |
| Extension | 21,4 s | 21,4 s |
| Retraction | 15,6 s | 14,1 s |
| Forward swiveling | 3,3 s | 3,3 s |
| Reverse swiveling | 2,1 s | 2,1 s |

ENGINE

| | | |
|-------------------------------------|---------------------------------------------|---------------------------------------------|
| Machine model | ICARUS 40.14 | ICARUS 40.17 |
| Brand | Kubota | Kubota |
| Nominal power | 83,5 kW (112 HP) | 83,5 kW (112 HP) |
| @rpm | 2600 rpm | 2600 rpm |
| Operation | 4-stroke | 4-stroke |
| Injection | Electronic, Common Rail | Electronic, Common Rail |
| Number and arrangement of cylinders | 4, Vertical in line | 4, Vertical in line |
| Displacement | 3769 cm ³ (230 in ³) | 3769 cm ³ (230 in ³) |
| Consumption | 231 g/kWh (380 lb/Hp h) | 231 g/kWh (380 lb/Hp h) |
| @rpm | 2600 rpm | 2600 rpm |
| Emission standards | Stage IIIB/Tier 4i | Stage IIIB/Tier 4i |
| Exhaust gas treatment | Particulate filter (DPF) | Particulate filter (DPF) |
| Cooling system | Liquid | Liquid |
| Intake | Turbo compressor after-cooler | Turbo compressor after-cooler |

DIFFERENTIAL AXLES

| | | |
|------------------|-------------------------------------------------------------------------------|-------------------------------------------------------------------------------|
| Machine model | ICARUS 40.14 | ICARUS 40.17 |
| Axles type | 2 steering, with 4 planetary reduction gears | 2 steering, with 4 planetary reduction gears |
| Type of steering | 4 wheels / transversal / 2 wheels | 4 wheels / transversal / 2 wheels |
| Front axle | Rigid (Levelling upon request) | Rigid (Levelling upon request) |
| Rear axle | Swinging | Swinging |
| Service braking | Oil bath with servo brake on front and rear axle with double hydraulic system | Oil bath with servo brake on front and rear axle with double hydraulic system |
| Parking braking | Negative actuation with electrical control | Negative actuation with electrical control |

HYDRAULIC SYSTEM

| | | |
|-------------------------|--------------------------------------------|--------------------------------------------|
| Machine model | ICARUS 40.14 | ICARUS 40.17 |
| Hydraulic pump type | Gear pump for power steering and movements | Gear pump for power steering and movements |
| Hydraulic pump capacity | 170 L/min (44,9 gal/min) | 170 L/min (44,9 gal/min) |
| Max. operating pressure | 25,0 MPa (3626 psi) | 25,0 MPa (3626 psi) |
| Distributor control | 4in1 proportional Joystick | 4in1 proportional Joystick |

REFUELING

| | | |
|--------------------------|---------------------|---------------------|
| Machine model | ICARUS 40.14 | ICARUS 40.17 |
| Hydraulic system (total) | 174,0 L (45,97 gal) | 174,0 L (45,97 gal) |
| Diesel tank | 105,0 L (27,74 gal) | 105,0 L (27,74 gal) |

TRANSMISSION

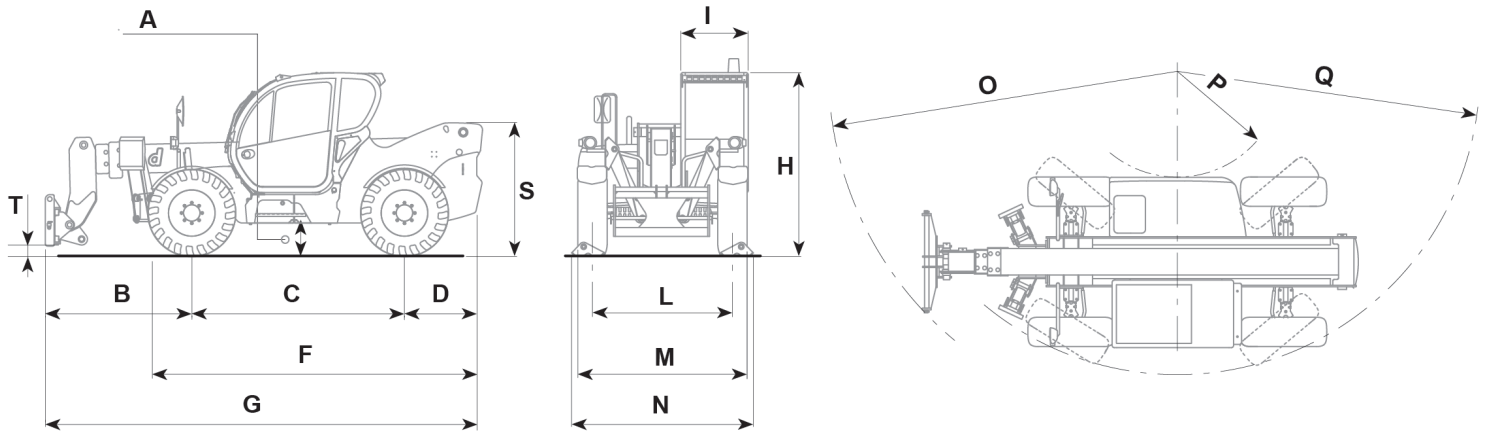
| | | |
|----------------------|------------------------------------------------------|------------------------------------------------------|
| Machine model | ICARUS 40.14 | ICARUS 40.17 |
| Transmission type | Hydrostatic with variable flow pump | Hydrostatic with variable flow pump |
| Hydraulic motor | Hydrostatic with continuous automatic adjustment | Hydrostatic with continuous automatic adjustment |
| Reversal | Electro-Hydraulic | Electro-Hydraulic |
| Inching | With hydraulic pedal for controlled forward movement | With hydraulic pedal for controlled forward movement |
| Transmission gearbox | Servocontrolled 2-speed | Servocontrolled 2-speed |

TIRES

| | | |
|----------------|----------------------|--------------|
| Machine model | ICARUS 40.14 | ICARUS 40.17 |
| Standard tires | 400/70x20" | 400/70x24" |
| Optional tires | 400/70x24"; 18x22.5" | 18x22.5" |

DIMENSIONS

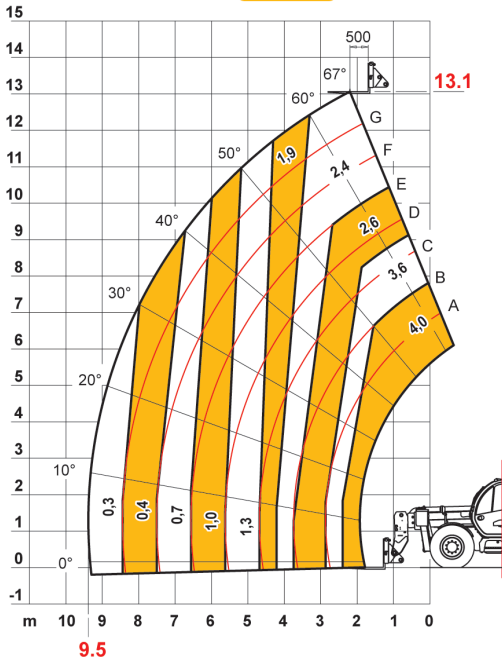
| Machine model | ICARUS 40.14 | ICARUS 40.17 |
|---------------|--------------------|--------------------|
| A | 390 mm (15,4 in) | 390 mm (15,4 in) |
| B | 1900 mm (74,8 in) | 1970 mm (77,6 in) |
| C | 2950 mm (116,1 in) | 2950 mm (116,1 in) |
| D | 1355 mm (53,3 in) | 1355 mm (53,3 in) |
| F | 4850 mm (190,9 in) | 4900 mm (192,9 in) |
| G | 6200 mm (244,1 in) | 6275 mm (247 in) |
| H | 2500 mm (98,4 in) | 2550 mm (100,4 in) |
| I | 940 mm (37 in) | 940 mm (37 in) |
| L | 1950 mm (76,8 in) | 1950 mm (76,8 in) |
| M | 2360 mm (92,9 in) | 2360 mm (92,9 in) |
| N | 3270 mm (128,7 in) | 3270 mm (128,7 in) |
| O | 4900 mm (192,9 in) | 4900 mm (192,9 in) |
| P | 1700 mm (66,9 in) | 1700 mm (66,9 in) |
| Q | 4400 mm (173,2 in) | 4400 mm (173,2 in) |
| S | 1810 mm (71,3 in) | 1837 mm (72,3 in) |
| T | 106 mm (4,2 in) | 163 mm (6,4 in) |



MAX 4,0 t



DOCDI0000071



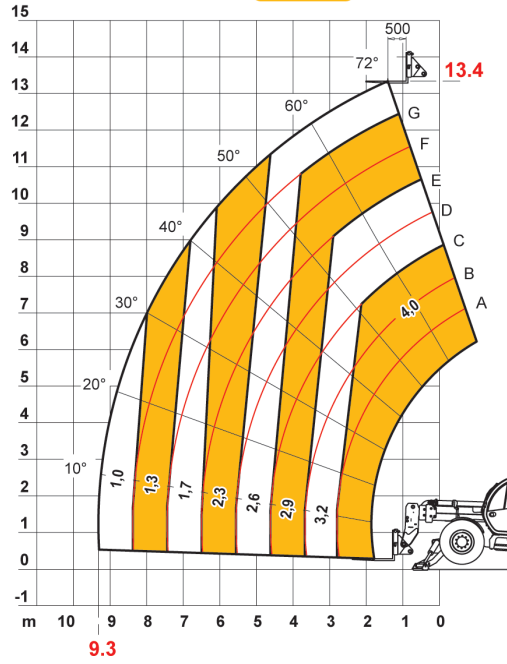
EN1459

40.14

MAX 4,0 t



DOCDI0000072



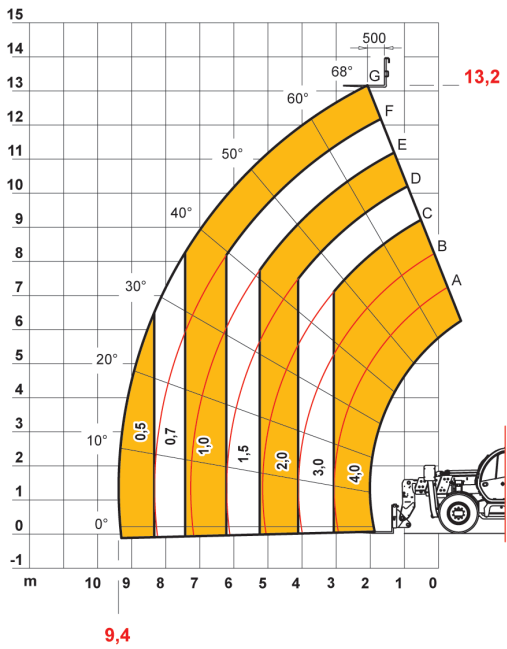
EN1459

40.14

MAX 4,0 t



DOCDI0000032



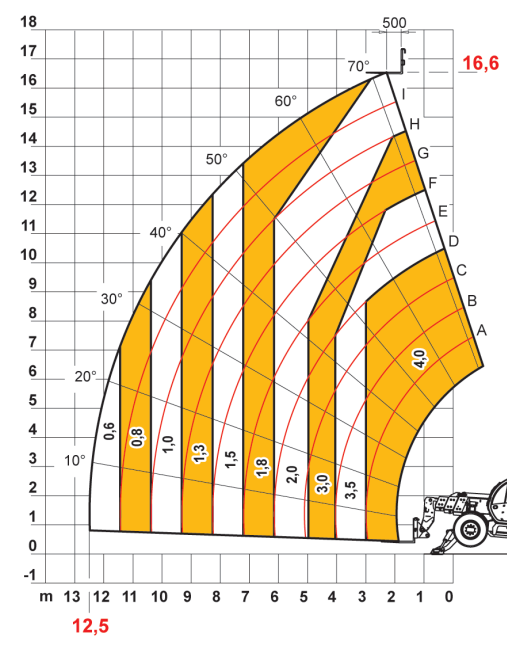
EN1459

40.17

MAX 4,0 t



DOCDI0000047



EN1459

40.17